

LINK MANAGER LM1

for GPS Collar

The Link Manager LM1 provides the interface between your PC or Laptop and the GPS-Plus collar. It is used to exchange data and to upgrade new firmware in your GPS-Plus collar. With its own power, provided by an internal Lithium-Ion accumulator, it can be used very easy to access the collar by an external PC and to supply the collar with external power in case of an empty battery pack of the collar.



Easy Access

The access from the PC to the collar via the Link Manager is quit simple. The user can choose between a serial RS-232 or a USB data connection to the PC.

Easy Control

During all operation modes the module can by supervised by the user via two three colour LEDs which indicate the state of charge and data transfer.

Easy Supply

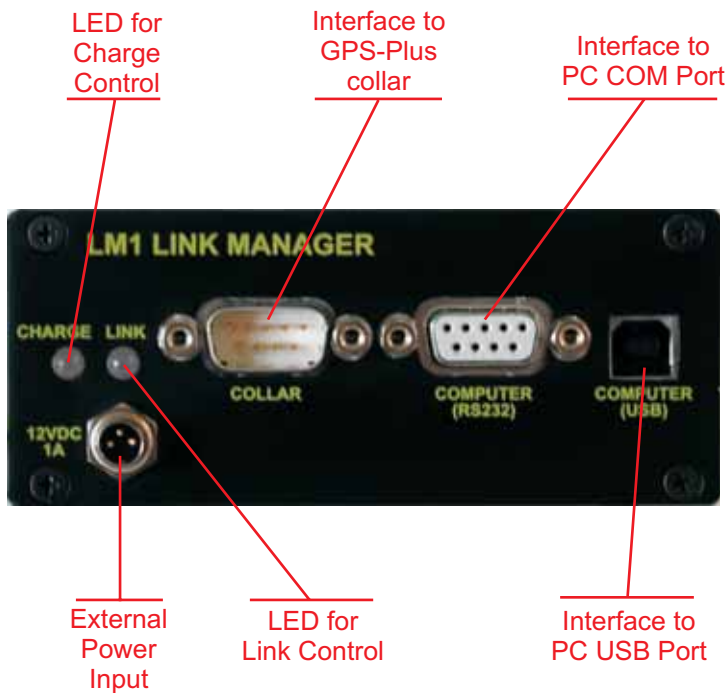
For the supply with electrical power an internal Li-Ion accumulator gives the operator a maximum of mobility and flexibility even during outdoor operation. For charging or alternative supply an external AC/DC power adapter can be connected. In idle mode the Link Manager will automatically shut down to a standby mode to save battery power. An additional power interface is implemented to supply the collar in case of an empty battery pack.

Easy Use

Just plug & play the Link Manager connected to a GPS collar and a PC and mind the LEDs for operational control. All data transfer activities can be done by the PC software very comfortable.



Technical Specifications



Mechanics

Dimensions: 105 x 76 x 44 mm
Weight: 350 g

Power

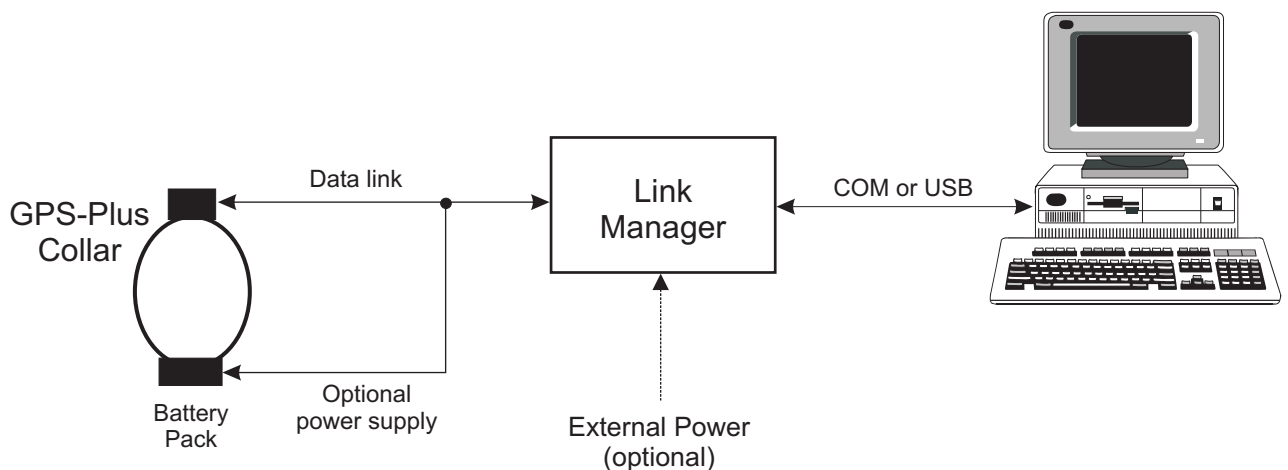
Supply Voltage: 7...20 VDC via external AC/DC power adapter or via internal 2.3 Ah Li-Ion accumulator.
Automatic standby function for power save.
Accu life cycle: Up to 9 months in standby mode.

Interface

PC: COM or USB port
Collar: Special serial link cable

LED Functions

Charge:	Off	= Accumulator full charged
	Yellow	= Fast charge (0-80%)
	Green	= Full charge (80-100%)
	Red	= Malfunction
Link:	Green flashing	= Standby, accumulator o.k.
	Red flashing	= Standby, accumulator low
	Green	= USB control
	Yellow	= Only before programming via serial interface
	Red	= Programming new firmware



Supplied Accessories:

- AC/DC Power Adapter
- SCI Cable
- USB Cable
- Collar Cable